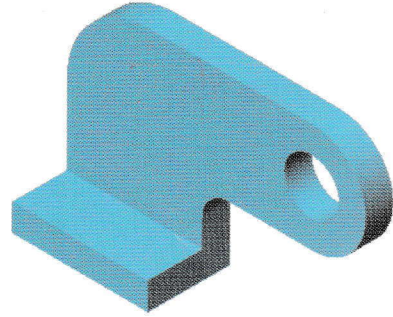


## Exercise 7: Sketch Fillets and Contour Sketches

Create this part using the information and dimensions provided. Sketch and extrude profiles to create the part.

This lab reinforces the following skills:

- Sketching.
- Sketch Fillets.
- Contour Selection.
- Extrusions.



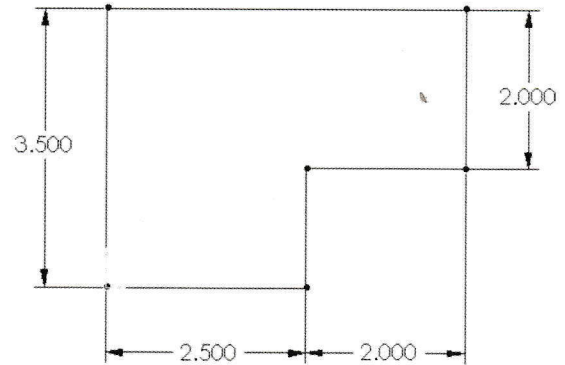
### 1 New part.

Open a new part using the Part\_IN template.

### 2 Sketch.

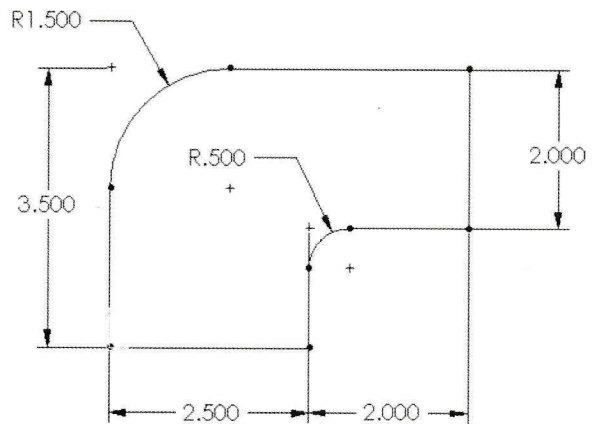
Create this sketch using rectangles, circles, automatic relations and dimensions.

Fully define the sketch.



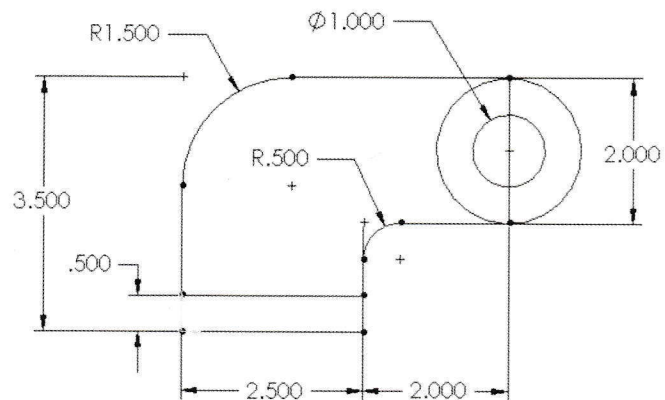
### 3 Sketch fillets.

Add sketch fillets of Radius 1.5" and 0.5" to the corners.



### 4 Circles and rectangle.

Add circles and a rectangle to divide the sketch into contours.



**5 Extrudes.**

Extrude the rectangular contour **1.5"**. Extrude the remaining contours of the sketch **0.5"**.

**6 Save and close the part.**

