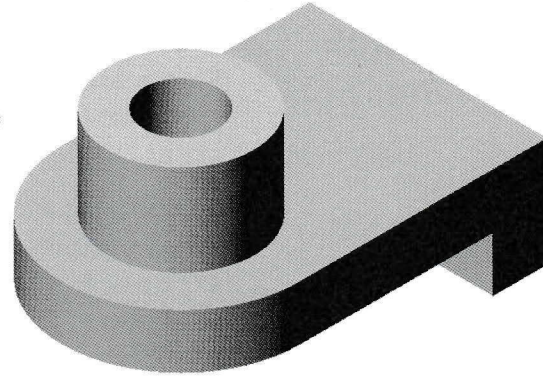


Exercise 10: Bracket

Create this part using the information and dimensions provided. Sketch and extrude profiles to create the part.

This lab reinforces the following skills:

- Sketching.
- Bosses.
- Cuts.



Design Intent

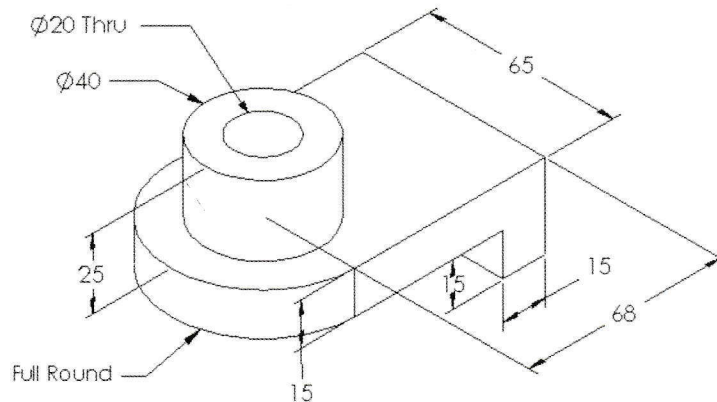
The design intent for this part is as follows:

1. The boss is centered on the rounded end of the base.
2. The hole is a through hole and is concentric to the boss.

Use the Part_MM template.

Dimensioned View

Use the following graphics and the design intent to create the part.



As an aid to constructing this part, visualize how it could be broken down into individual features:

