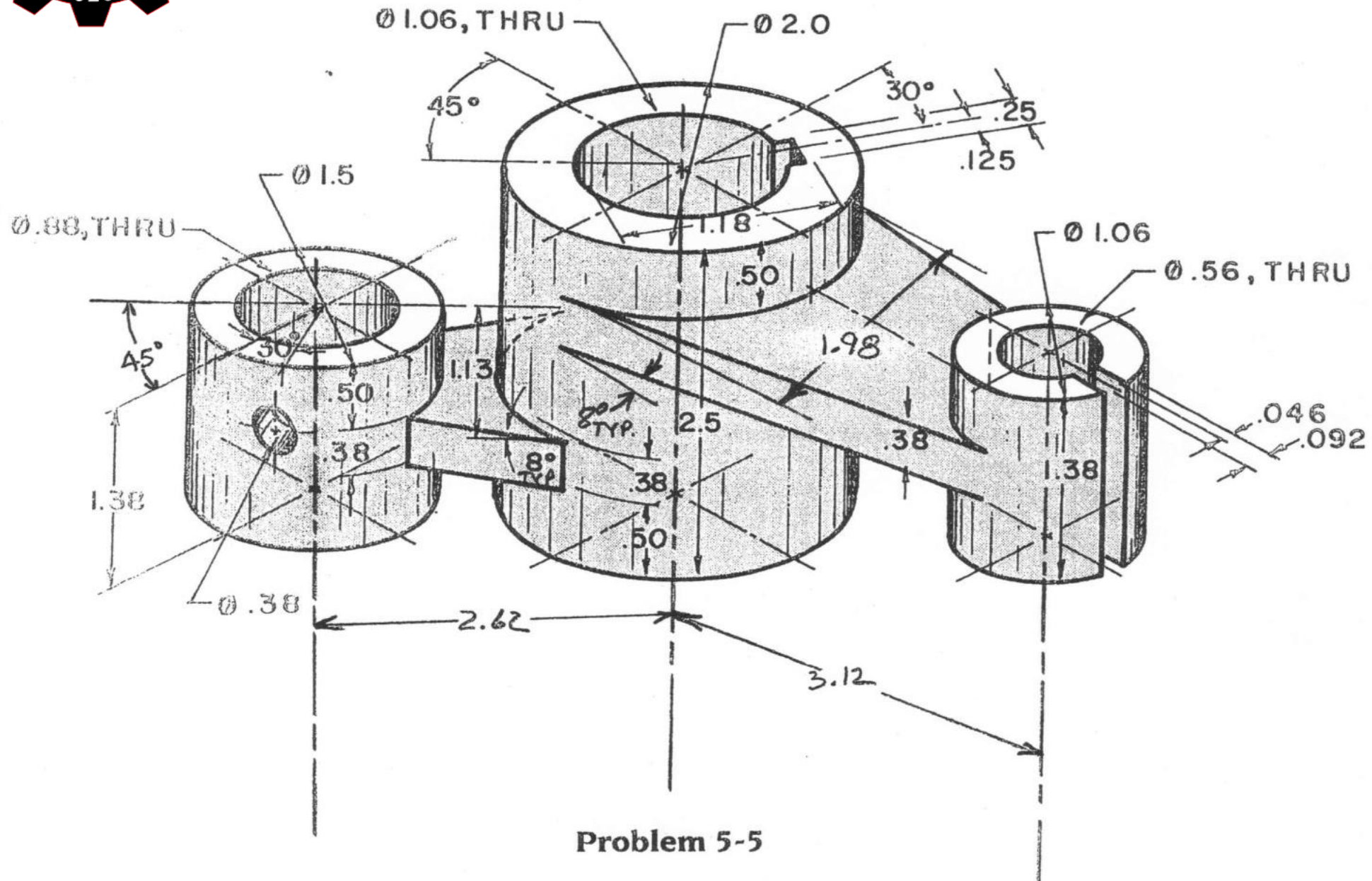




Problem 5-5



Problem 5-5