

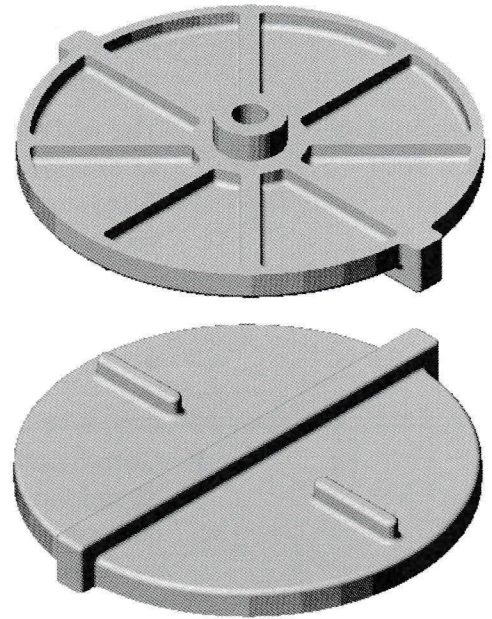
Exercise 23: Compression Plate

Create this part using the dimensions provided. Use relations and equations where applicable to maintain the design intent.

This lab uses the following skills:

- Sketching.
- Revolved features.
- Symmetry.

Units: **millimeters**



Design Intent

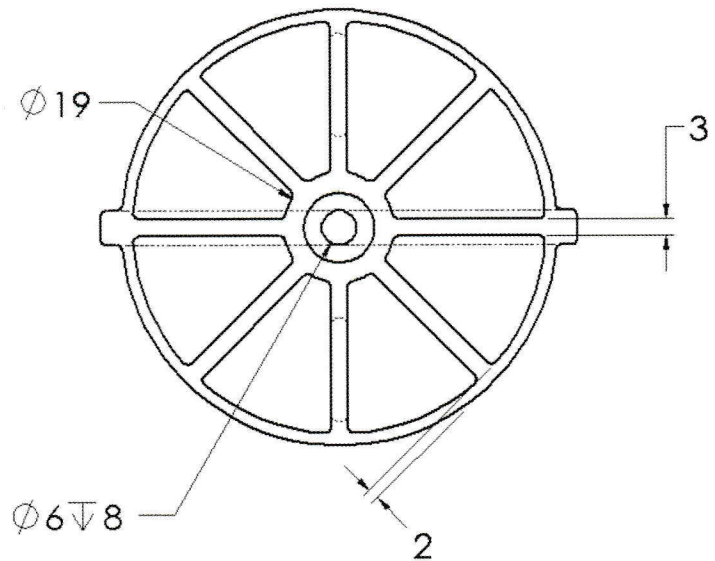
The design intent for this part is as follows:

1. Part is symmetrical.
2. Ribs are equally spaced.
3. All fillets and rounds are **1mm**.

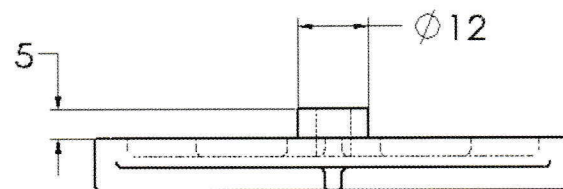
Dimensioned Views

Use the following graphics with the design intent to create the part.

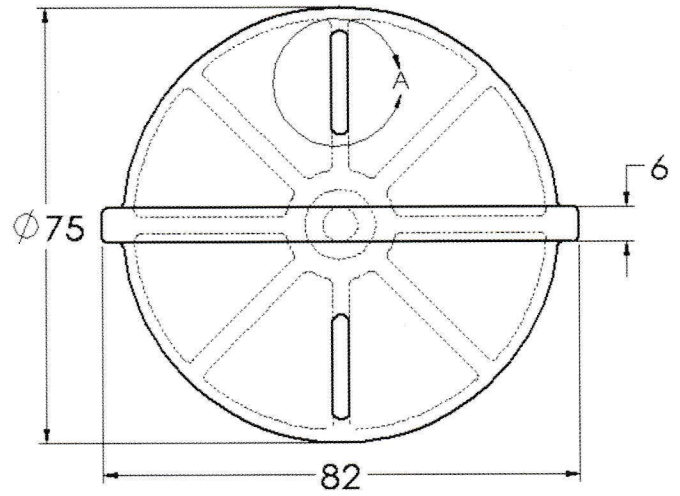
Top view



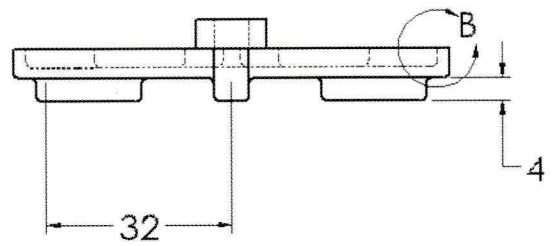
Front view



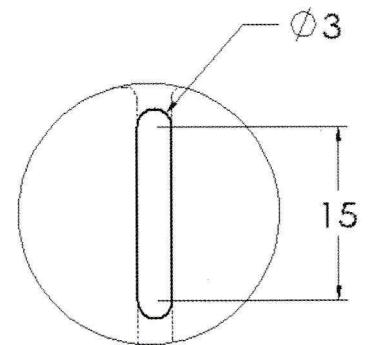
Bottom view



Right view

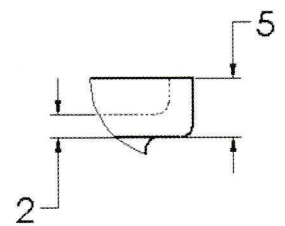


Detail A



DETAIL A
SCALE 4 : 1

Detail B



DETAIL B
SCALE 4 : 1