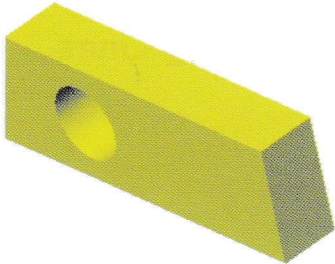


Exercise 2: Sketching Lines with Inferences

Create this part using the information and dimensions provided. Sketch and extrude profiles to create the part.

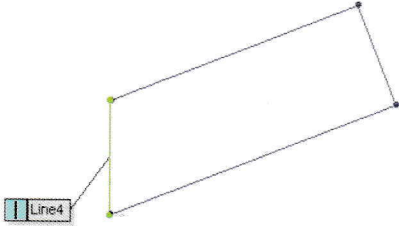
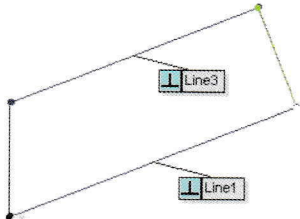


This lab reinforces the following skills:

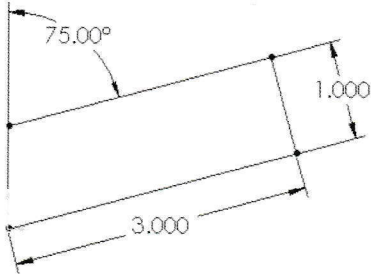
- Sketching.
- Dimensions.
- Extruding a feature.

1 New part.
Open a new part using the Part_IN template.

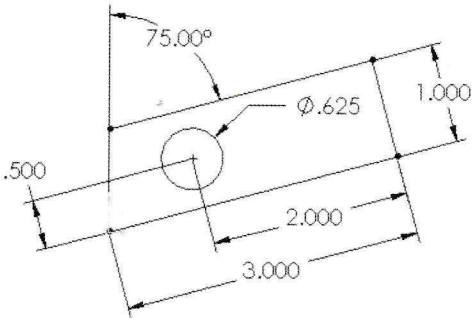
2 Automatic relations.
Create this sketch using lines and automatic relations. Show the **Perpendicular** and **Vertical** relations.



3 Dimensions.
Add dimensions to fully define the sketch.



4 Circle.
Add a circle to the sketch and add dimensions to fully define it.



5 Extrude.
Extrude the sketch **0.5"**.

6 Save and close the part.

