

## Exercise 1: Sketching Lines

Create this part using the information and dimensions provided. Sketch and extrude profiles to create the part.

This lab reinforces the following skills:

- Sketching.
- Dimensions.
- Extruding a feature.

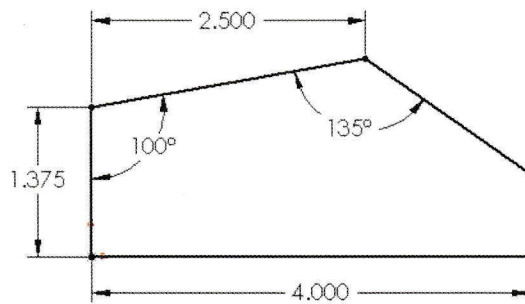
### 1 New part.

Open a new part using the Part\_IN template.

### 2 Sketch.

Create this sketch using lines, automatic relations and dimensions.

Fully define the sketch.



### 3 Extrude.

Extrude the sketch 1" in depth.

### 4 Save and close the part.

