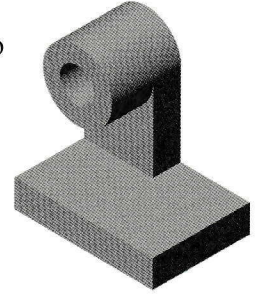


Exercise 5: Contour Sketches #2

Create this part using the information and dimensions provided. Sketch and extrude profiles to create the part.

This lab reinforces the following skills:

- Sketching.
- Dimensions.
- Contour Selection.
- Extrusions.



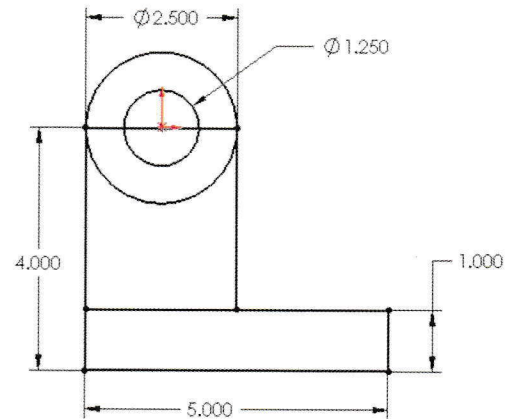
1 New part.

Open a new part using the Part_IN template.

2 Sketch.

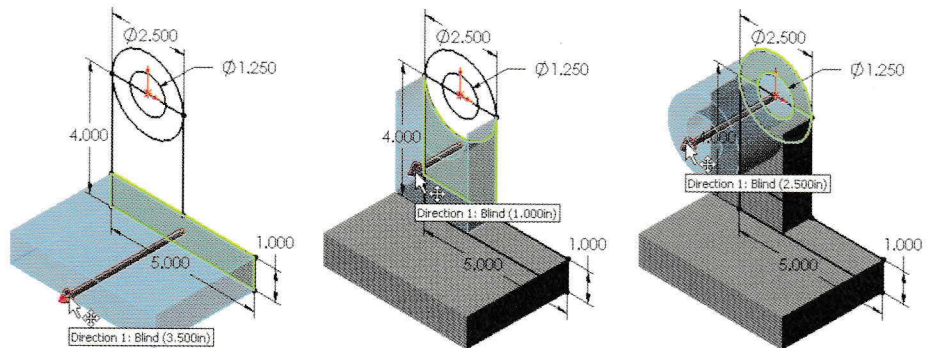
Create this sketch using rectangles, circles, automatic relations and dimensions.

Fully define the sketch.



3 Extrude contours.

Extrude the selected contours distances of 3.5", 1" and 2.5" respectively.



4 Save and close the part.