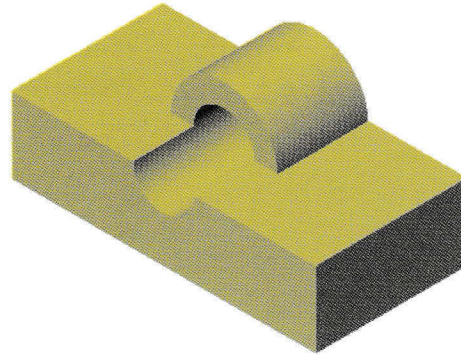


Exercise 4: Contour Sketches #1

Create this part using the information and dimensions provided. Sketch and extrude profiles to create the part.

This lab reinforces the following skills:

- Sketching.
- Dimensions.
- Contour Selection.
- Extruding a feature.



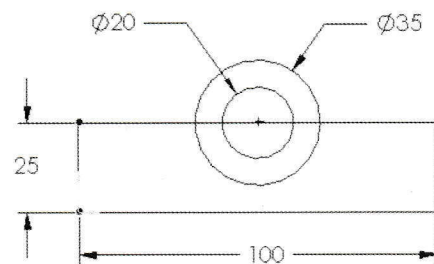
1 New part.

Open a new part using the Part_MM template.

2 Sketch.

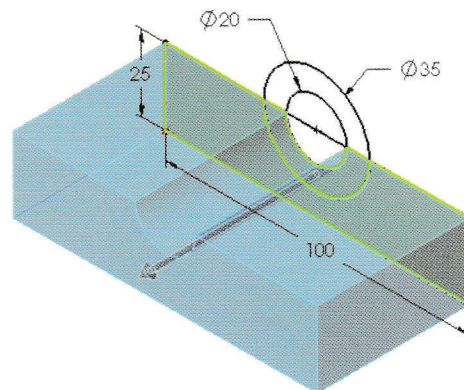
Create this sketch using rectangles, circles, automatic relations and dimensions.

Fully define the sketch.



3 Extrude Contours.

Extrude the selected contours of the sketch **50mm**.



4 Re-use Sketch.

Re-use selected contours of the sketch and extrude **30mm**.

5 Save and close the part.

