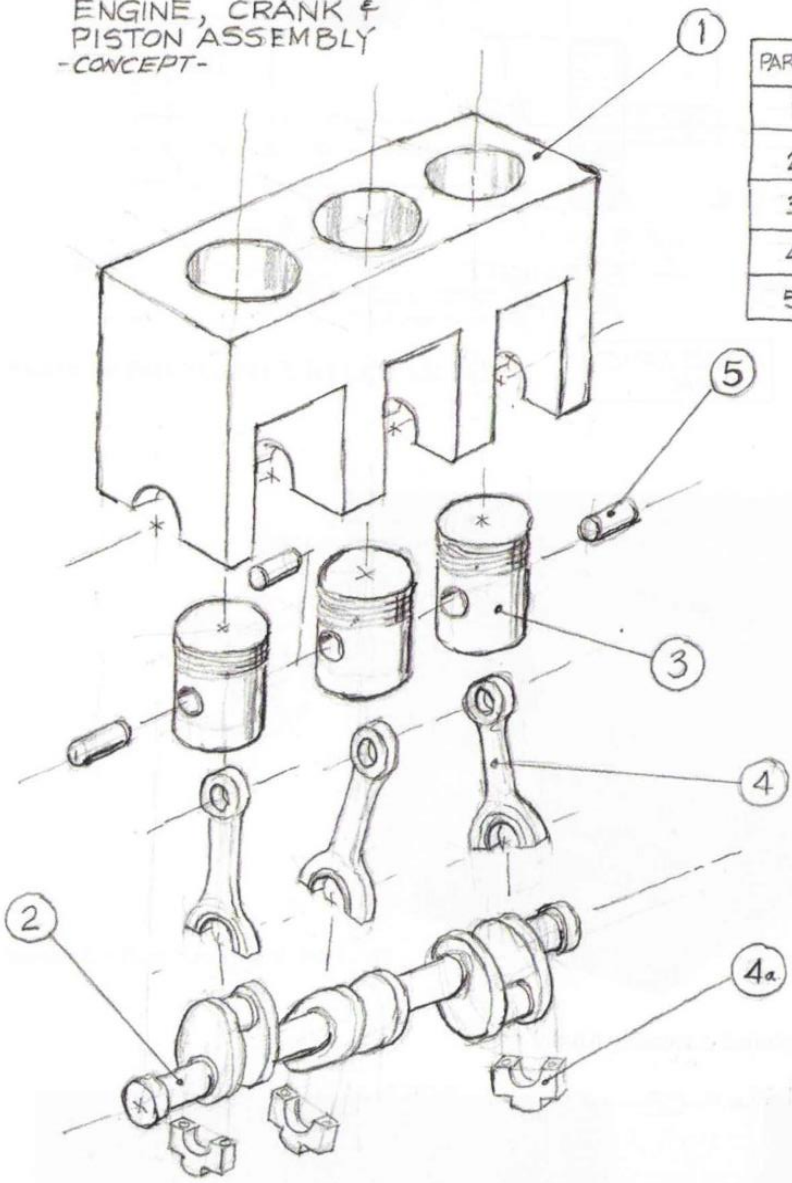




Engine Assembly

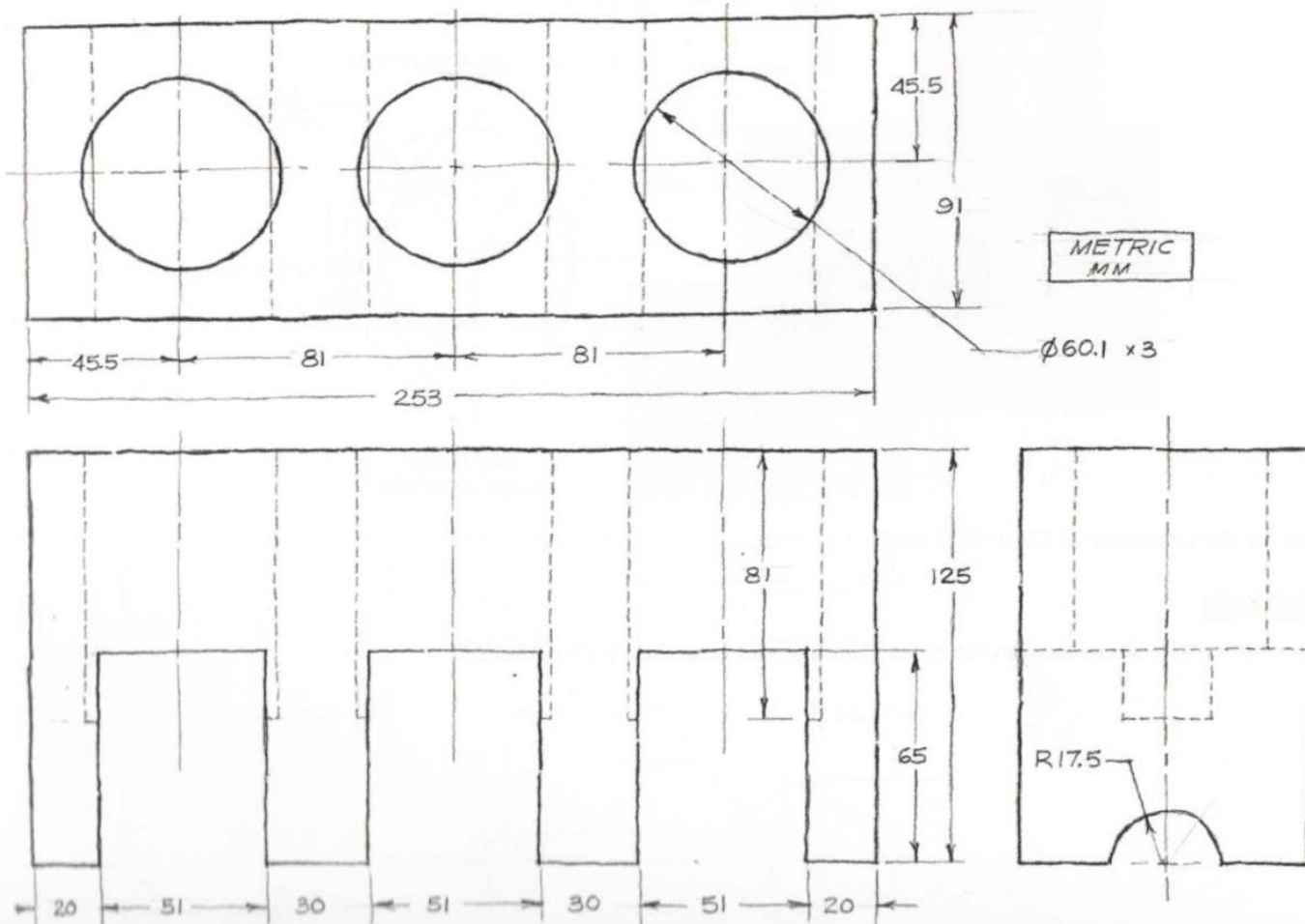
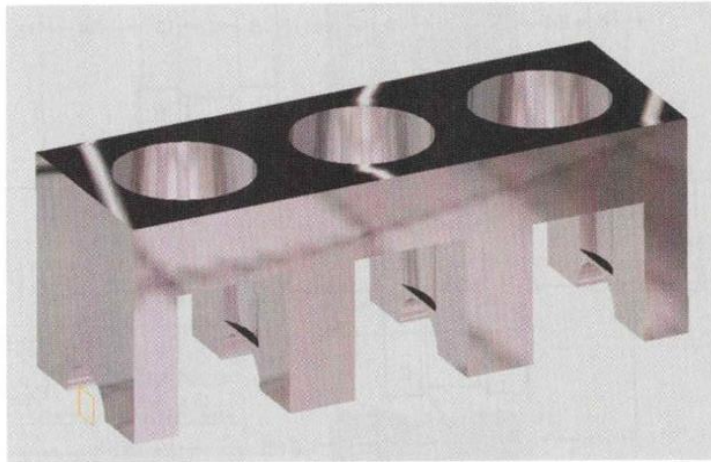
Assembly 3: ENGINE MODEL—Concept for 3-Cylinder Model (METRIC mm)

ENGINE, CRANK &
PISTON ASSEMBLY
-CONCEPT-

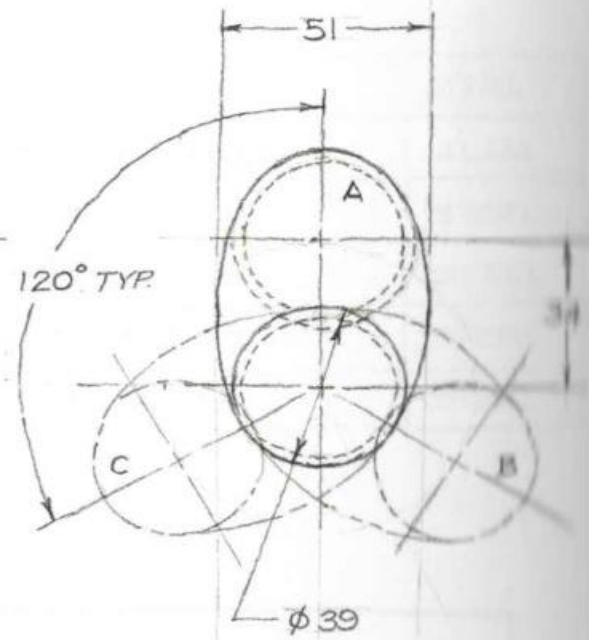
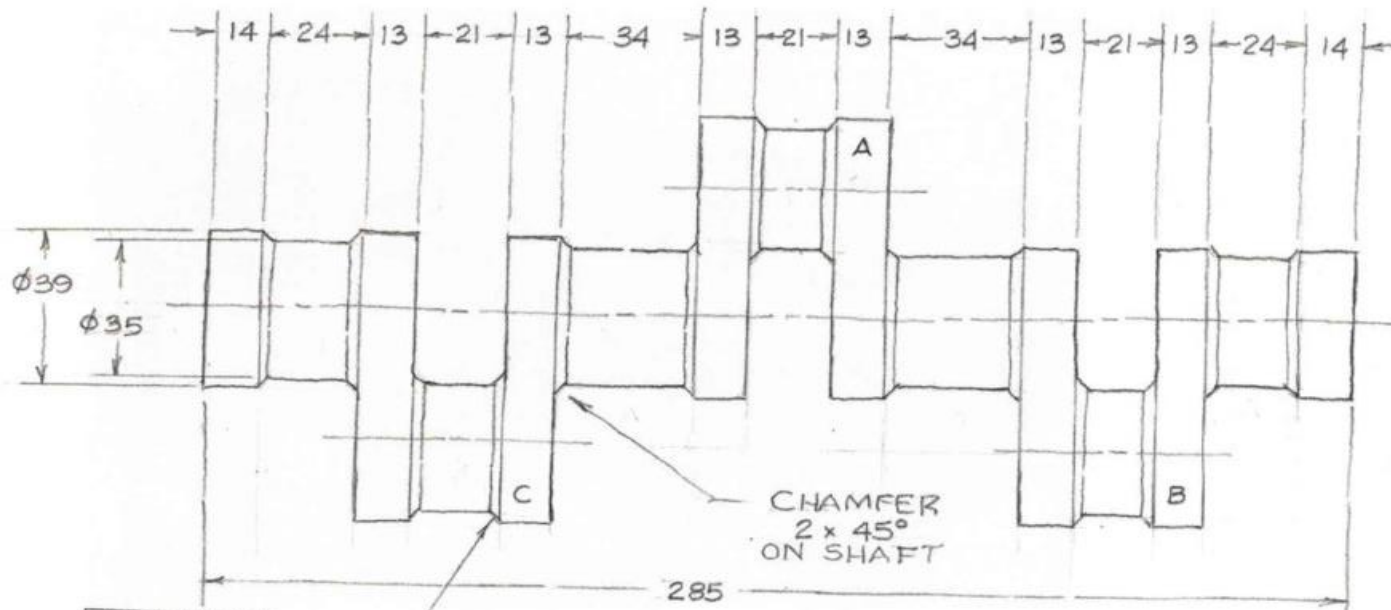


PART No	QUAN.	NAME	MTRL.
1	1	ENGINE BLOCK	ALUM.
2	1	CRANK SHAFT	STEEL
3	3	PISTON	STEEL
4	3	CONNECTING ROD	STEEL
5	3	PISTON PIN	STEEL

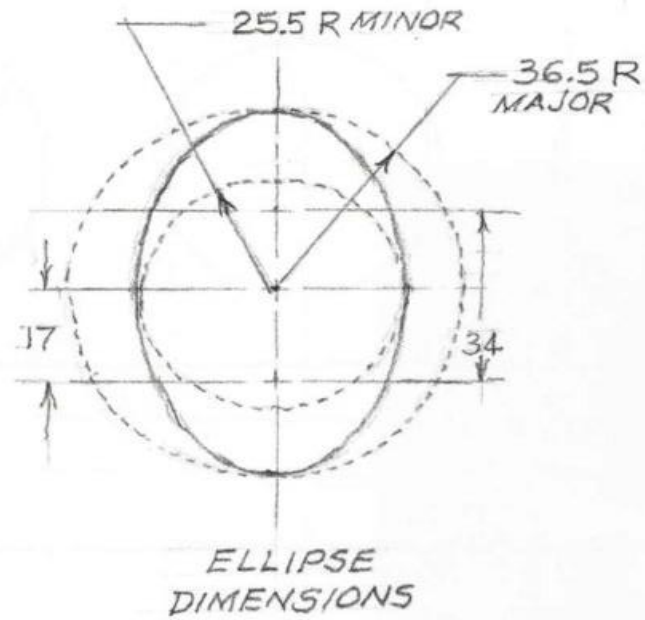
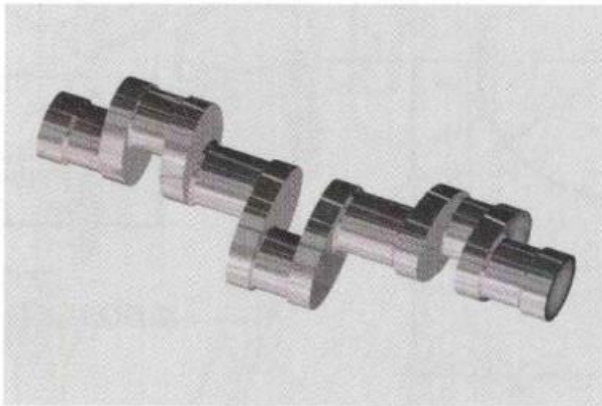




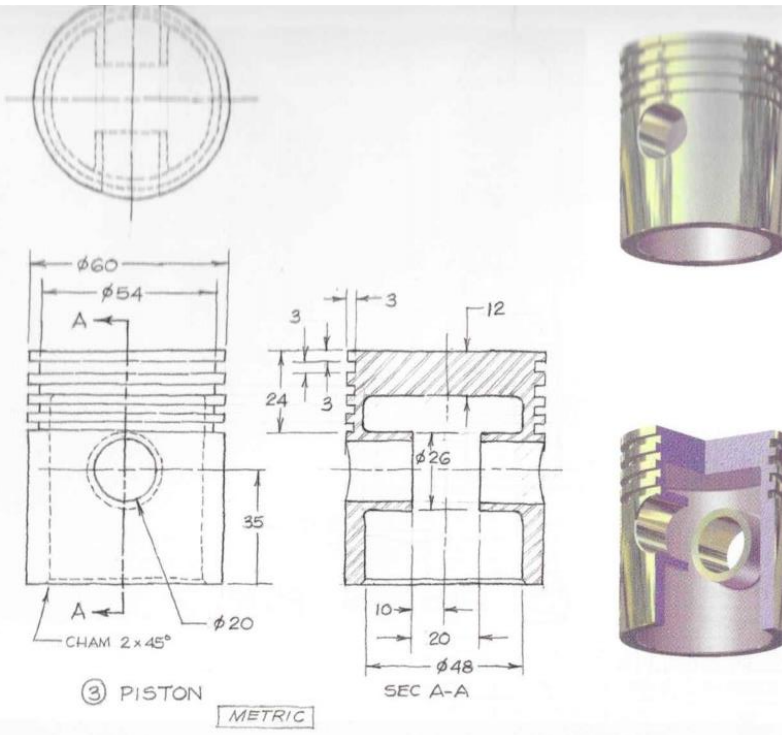
① ENGINE BLOCK



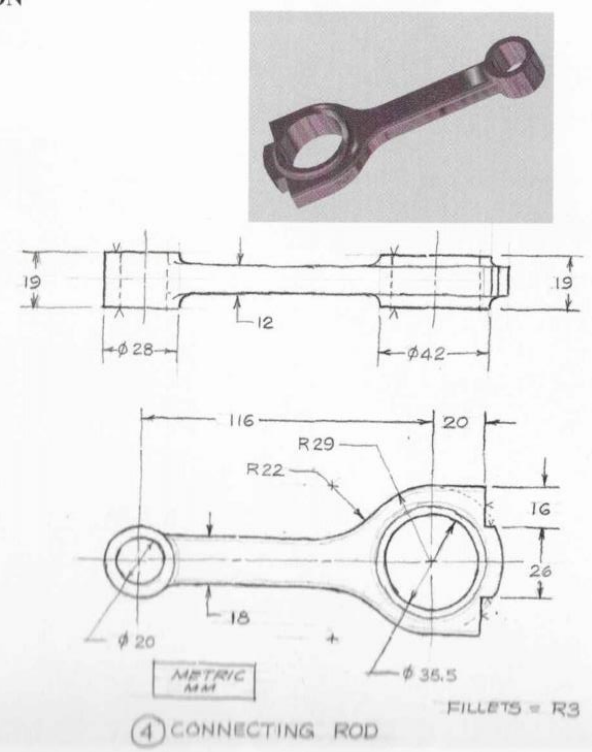
② CRANK SHAFT



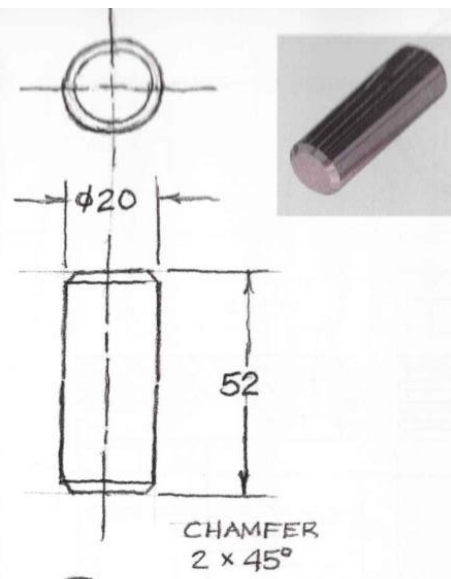
Sketch for Part Number 2: CRANK SHAFT



Sketch for Part Number 3: PISTON



Sketch for Part Number 4: CONNECTING ROD



⑤ PISTON PIN

Sketch for Part Number 5: PISTON PIN

